

# T

## Ultrasonic handheld equipment for straight cutting

*Our ultrasonic device T type allows easy straight cutting on any synthetic textile, in one single cutting/sealing operation.*

This handy device is well adapted to cutting operations requiring nice-looking and resistant edges with no fraying. Fitted with a foot plate our T can also be mounted with on an optional rail for easier use.

### Process :

Weaving

Finishing

Final  
Make-up

### Equipment types :

To be  
integrated

Handheld  
devices

Workstation

### Operations performed :

Cutting

Slitting

Spot  
welding

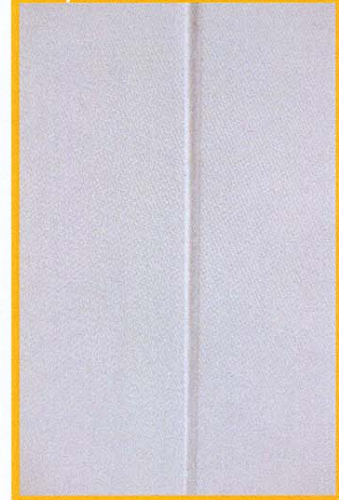
Laminating

Splicing

Punching



### Example on sun protection fabric



### Product types :

Acrylic textiles  
Synthetic textiles

### Applications :

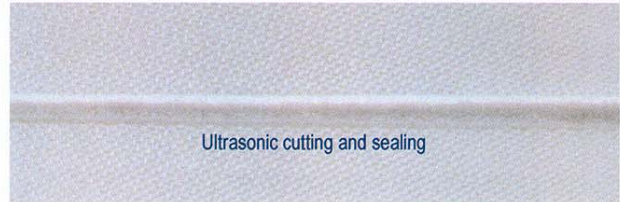
Sun protection  
Bedding  
Clothing  
Ribbons  
etc.

# T

## Ultrasonic handheld equipment for straight cutting

### Operations performed

Ultrasonic straight cutting



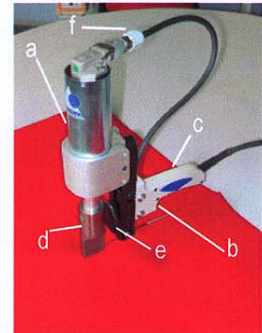
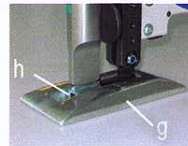
### Standard specifications

- High handiness
- Easy tool changes
- Optional mounting on a guiding rail for easier use
- Integrated cooling system to maintain a constant temperature of the sealing point

### Description

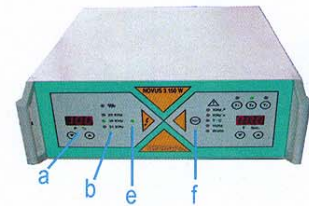
#### Handheld device type T :

- Converter
- Switch
- Ergonomic handle
- Horn
- Cutting pressure adjustment
- 6m generator/T device link cable (8m optional)
- Foot plate
- Cutting tool



#### Generator Novus including :

- Power adjustment
- Frequency
- Electrical supply connection
- Generator/device link cable connection
- Generator under tension
- Running test



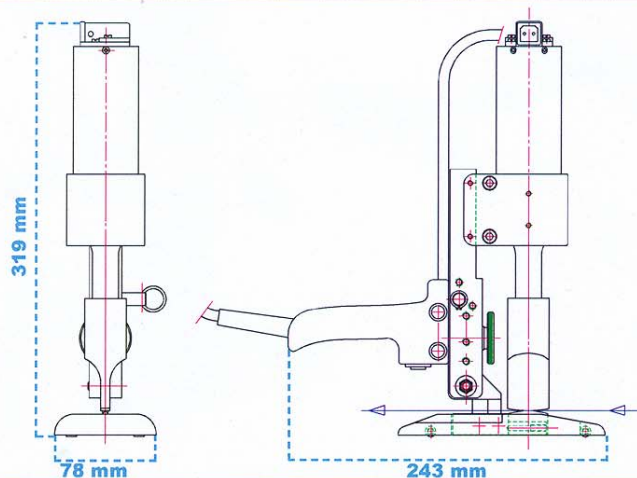
### Technical specifications

#### Mechanical unit T

Power	150 or 300 W
Dimensions	243 x 78 x 319 mm
Weight	2.1 Kg

#### Novus Generator

Frequency	30 kHz
Power	From 150 to 300 W
Dimensions	440 x 340 x 130 mm
Weight	6.65 Kg
Supply	110 / 220 V A/C



Non contractual pictures and technical specifications